



CPD25L2(B/S)

Electric Counterbalance Forklift
Truck 2.5T **LI-ION**
TECHNOLOGY

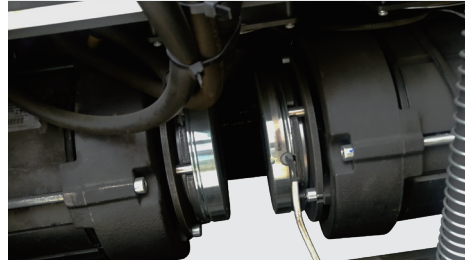
- Dual Driving Motor
- Fast Charging Lithium Battery
- Strengthening Truck Frame

EP EQUIPMENT CO.,LTD
www.ep-equipment.com

FEATURE

■ Dual Driving Motor

The CPD25L2 comes with two drive motors for higher performance and better turning radius.



■ Fast Charging Lithium Battery

It is equipped with Li-ion battery, which provides opportunity charging. It can be charged up to 7% in 10 Minutes.



■ Strengthening Truck Frame

CJ mast gives CPD25L2 great mechanical strength and wider operation view. CPD25L2 adopts one-piece panel on sides to optimize crashworthiness, safety, and overall appearance.

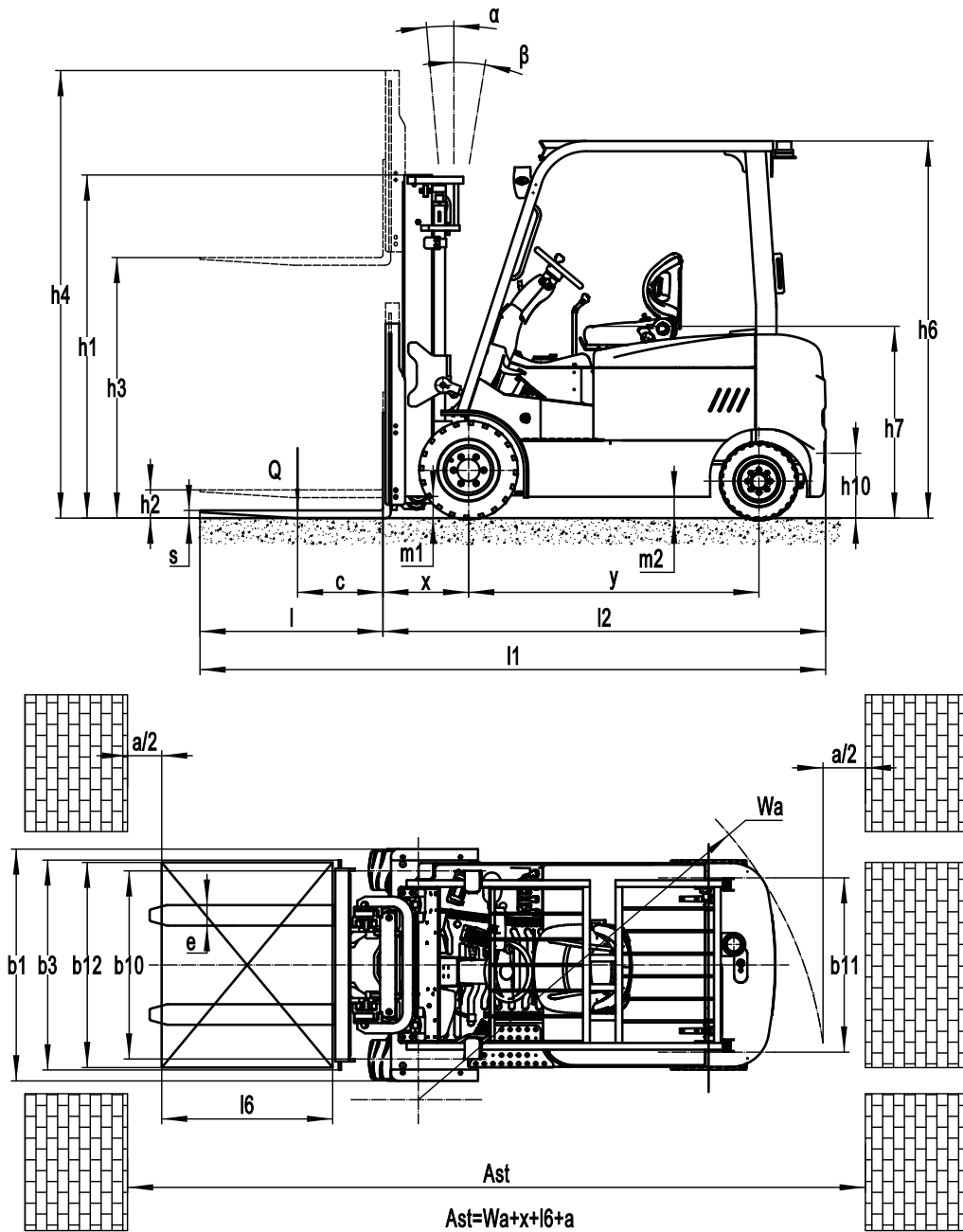


Electric Counterbalance Forklift Truck 2.5T

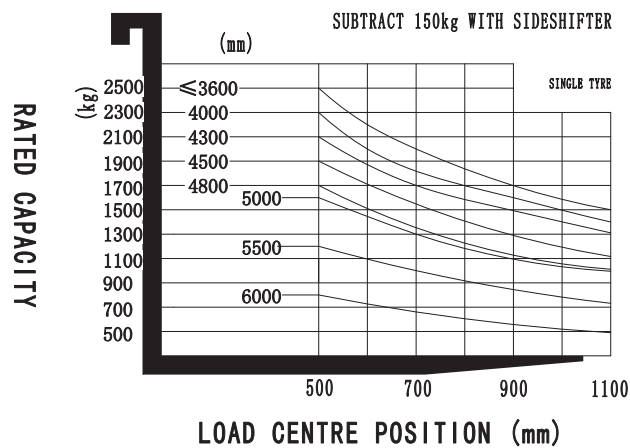
CPD25L2(B/S)

Distinguishing mark					
1.1	Manufacturer			EP	EP
1.2	Model designation			CPD25L2B	CPD25L2S
1.3	Drive unit			Electric	Electric
1.4	Operator type			Seated	Seated
1.5	rated capacity	Q	t	2.5	2.5
1.6	Load center distance	c	mm	500	500
1.8	Load distance, centre of drive axle to fork	x	mm	425	425
1.9	Wheelbase	y	mm	1550	1550
Weight					
2.1	Service weight (include battery)		kg	3645	4110
2.2	Axle loading, laden driving wheels /steering wheels		kg	5490/655	5852/758
2.3	Axle loading, unladen driving wheels /steering wheels		kg	1498/2147	1740/2370
Types,Chassis					
3.1	Tyre type,driving wheels /steering wheels			Solid Rubber	Solid Rubber
3.2	Tyre size, driving wheels (diameter×width)		mm	21X8-9	21X8-9
3.3	Tyre size, steering wheels (diameter×width)		mm	18X7-8	18X7-8
3.5	Wheels, number driving/steering (x=drive wheels)		mm	2X2	2X2
3.6	Tread, Driving wheels	b10	mm	1017	1017
3.7	Tread, Steering wheels	b11	mm	990	990
Dimensions					
4.1	Tilt of mast/fork carriage forward/backward	α/ β (°)		5/ 7.5	5/ 7.5
4.2	Height, mast lowered	h1	mm	2020	2020
4.3	Free lift (load backrest)	h2	mm	110	110
4.4	Lift height	h3	mm	3000	3000
4.5	Height, mast extended	h4	mm	4040	4040
4.7	Height of overhead guard (cabin)	h6	mm	2190	2190
4.8	Seat height	h7	mm	1135	1135
4.12	Tow center of pin height	h10	mm	430	430
4.19	Overall length	l1	mm	3380	3380
4.20	Length to face of forks	l2	mm	2310	2310
4.21	Overall width	b1/ b2	mm	1230	1230
4.22	Fork dimensions	s/ e/ l	mm	40X120X1070	40X120X1070
4.23	Fork carriage class/type A, B			A	A
4.24	Fork carriage width	b3	mm	1168	1168
4.31	Ground clearance, laden, below mast	m1	mm	100	100
4.32	The minimum ground clearance of frame	m2	mm	140	140
4.34.1	Aisle width for pallets 1000 × 1200 crossways	Ast	mm	3640	3640
4.34.2	Aisle width for pallets 800 × 1200 lengthways	Ast	mm	3760	3760
4.35	Turning radius	Wa	mm	1890	1890
Performance data					
5.1	Travel speed, laden/ unladen		km/ h	14/15	14/16
5.2	Lifting speed, laden/ unladen		m/ s	0.25/0.35	0.25/0.35
5.3	Lowering speed, laden/ unladen		m/ s	0.44/ 0.435	0.44/ 0.435
5.5	Drawbar pull, laden/unladen		N	—	—
5.6	Max. drawbar pull, laden/unladen (time)		N	—	13500
5.7	Gradeability, laden/unladen		%	—	—
5.8	Max. gradeability, laden/unladen		%	15/16	15/16
5.10	Service brake type			Mechanics + Hydraulic	Mechanics + Hydraulic
	park brake type			Mechanics + Hydraulic	Mechanics + Hydraulic
Electric-engine					
6.1	Drive motor rating S2 60 min		kW	2X 4.8	2X 6
6.2	Lift motor rating at S3 15%		kW	12	20.7
6.3	The maximum allowed size battery		mm	—	—
6.4	Battery voltage/nominal capacity K5		V/ Ah	48/360	80/270
6.5	Battery weight		kg	250	310
Addition data					
8.1	Type of drive unit			AC	AC
10.5	Steering type			Hydraulic	Hydraulic
10.7	Sound pressure level at the driver's ear		dB (A)	70	70

If there are improvements of technical parameters or configurations, no further notice will be given.
The diagram shown may contain non-standard configurations.



RATED CAPACITIES AND LOAD CENTERES GRAPH



Mast Option

Type	Model	Max. fork height h3 mm	Overall height				Free lift		Front Overhang X mm	Tilt range		Capacity
			Lowered h1 mm	Extended		Without backrest mm	With backrest h2 mm	FWDα Deg		BWDβ Deg	Load capacity at 500 mm	
				Without backrest mm	With backrest h4 mm						Single tire	
Duplex ZT	2W200	2000	1460	2715	3040	110	110	425	5	7.5	2500	
	2W250	2500	1790	3215	3540	110	110	425	5	7.5	2500	
	2W270	2700	1870	3415	3740	110	110	425	5	7.5	2500	
	2W300	3000	2020	3715	4040	110	110	425	5	7.5	2500	
	2W330	3300	2170	4015	4340	110	110	425	5	7.5	2500	
	2W350	3500	2270	4215	4540	110	110	425	5	7.5	2500	
	2W360	3600	2320	4315	4640	110	110	425	5	7.5	2500	
	2W400	4000	2570	4715	5040	110	110	425	5	7.5	2300	
	2W430	4300	2720	5015	5340	110	110	425	5	7.5	2100	
Duplex ZZ	2W450	4500	2820	5215	5540	110	110	425	5	7.5	2000	
	2F250	2500	1805	3235	3540	1090	785	425	5	7.5	2500	
	2F270	2700	1905	3435	3740	1190	885	425	5	7.5	2500	
	2F300	3000	2055	3735	4040	1340	1035	425	5	7.5	2500	
	2F330	3300	2205	4035	4340	1490	1185	425	5	7.5	2500	
	2F360	3600	2355	4335	4640	1640	1335	425	5	7.5	2500	
Triplex DZ	2F400	4000	2605	4735	5040	1890	1585	425	5	7.5	2300	
	3F430	4300	2055	5030	5340	1345	1035	435	5	7.5	2000	
	3F450	4500	2135	5230	5540	1425	1115	435	5	7.5	1900	
	3F480	4800	2240	5530	5840	1530	1220	435	5	7.5	1700	
	3F500	5000	2325	5730	6040	1615	1305	435	5	7.5	1600	
	3F550	5500	2575	6230	6540	1865	1555	435	3	3	1200	
	3F600	6000	2825	6730	7040	2115	1805	435	3	3	800	

Option

Optional items		CPD25L2(B/S)
3	Fork length	○
6	Folding fork	—
7	Weighting system with fork	—
12	Solid rubber tire	●
13	Environmental solid tire	○
15	cold storage	—
19	Battery capacity	○
20	Lateral change battery	—
21	Import battery	—
22	Water auto-filling system	—
30	Side shift	○
37	Overhead guard	○
39	Mast options	○
40	Attachments	○
41	Proportional valve	○
42	Front light	●
43	Back light	○
46	Warning light	●
48	Fire extinguisher	○
49	Seat	○
50	Seat switch	○
51	With fan heater	○
52	With front windshield wiper	○
53	With rear windshield wiper	○
54	Cockpit	○
55	Doulbe front wheel	—
56	Rearview	●
57	OPS system	○
58	Backrest width	○
59	Side to pull the car	○
60	Air fan	○
61	Charging voltage	○
62	Drive-in Rack	○

Note: ● standard ○ option — NA